


PRODUCT SHEET

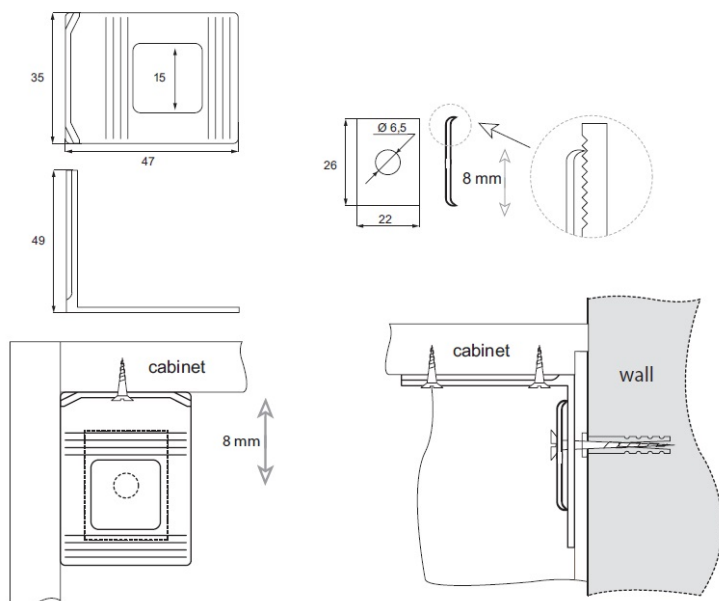
Description:

Cabinet Suspension "Slov", 3 Pcs, Cherry RAL 8004 Cap

Item number:

22.08.009-0

Units	Box	Carton	HS Code	Barcode
Set	100	400	8302420090	 5704866081962



SISO A/S

Mileparken 11
DK-2740 Skovlunde
Denmark
VAT: DK 24786013

Phone +45 45 830 900

www.siso.dk
siso@siso.dk

Danske Bank
Nytorv Branch
Copenhagen
SWIFT: DABADKKK

Account no.
4180 3112 112936
IBAN Account
DK7230003112112936